

HIGH TEMP. SELF-ADHERED FLASHING

#8 x 1 1/4" MODIFIED TRUSS SCREW @ 16" O.C.

20GA. GALVANIZED CONTINUOUS CLEAT

NAILER (BY OTHERS)

T.O. PARAPET  
SEE FLOOR PLAN

T.O. PARAPET  
SEE FLOOR PLAN

CMU, CLEAR SEALER (BY OTHERS)

D2

F.V.

24GA. BONDERIZED COPING

#8 x 1 1/4" MODIFIED TRUSS SCREW @ 16" O.C.

18GA. GALVANIZED CONTINUOUS CLEAT

1/4" x 2" CONCRETE SCREW @ 24" O.C.

24GA STAINLESS STEEL REGLET

24GA STAINLESS STEEL COUNTER FLASHING

24GA STAINLESS STEEL 1" CLIP AT 30" O.C.

PLANTER ASSEMBLY (BY OTHERS)

COPING DETAIL

ARCH. REF: 5/A4.15

SCALE: 3" = 1'-0"

ALPHA  
DRAFTING AND DESIGN

1/4" X 1 1/4" TAPCON @ 24" O.C.

CMU, CLEAR SEALER  
(BY OTHERS)

SEALANT

24GA G90 GALVANIZED LOUVER  
HEAD FLASHING

LOUVER (BY OTHERS)

2" MIN.

3 1/2"

8" F.V.

LOUVER BY OTHERS

2" END DAM BEYOND

SET FLASHING IN SEALANT

24GA G90 GALVANIZED LOUVER  
SILL FLASHING

CMU, CLEAR SEALER  
(BY OTHERS)

1/4" BACK LEG

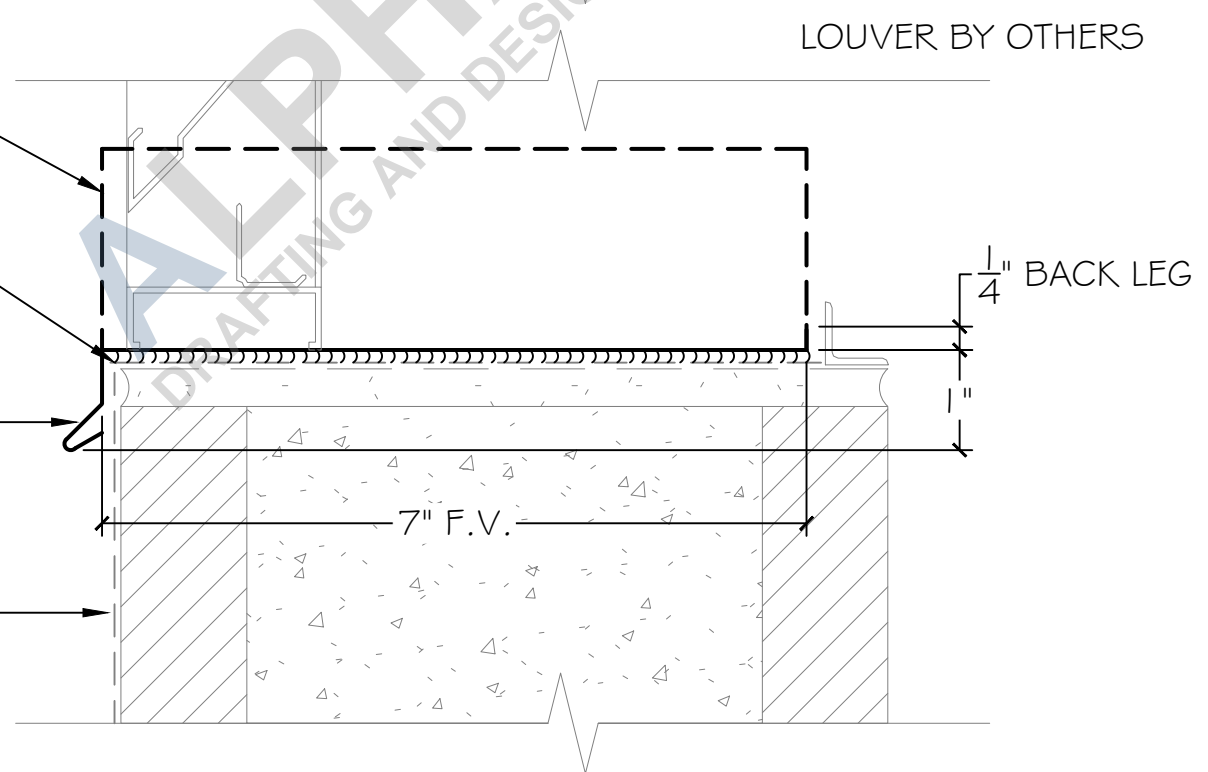
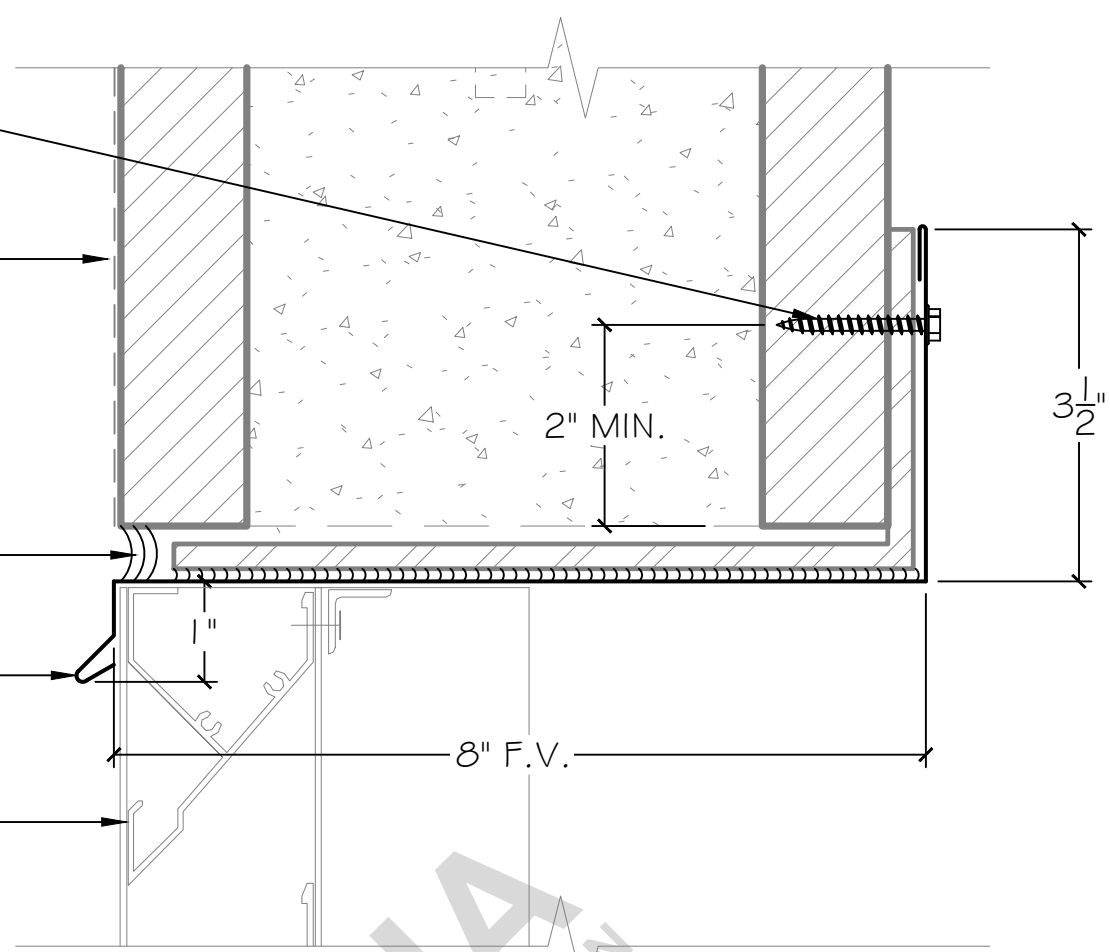
7" F.V.

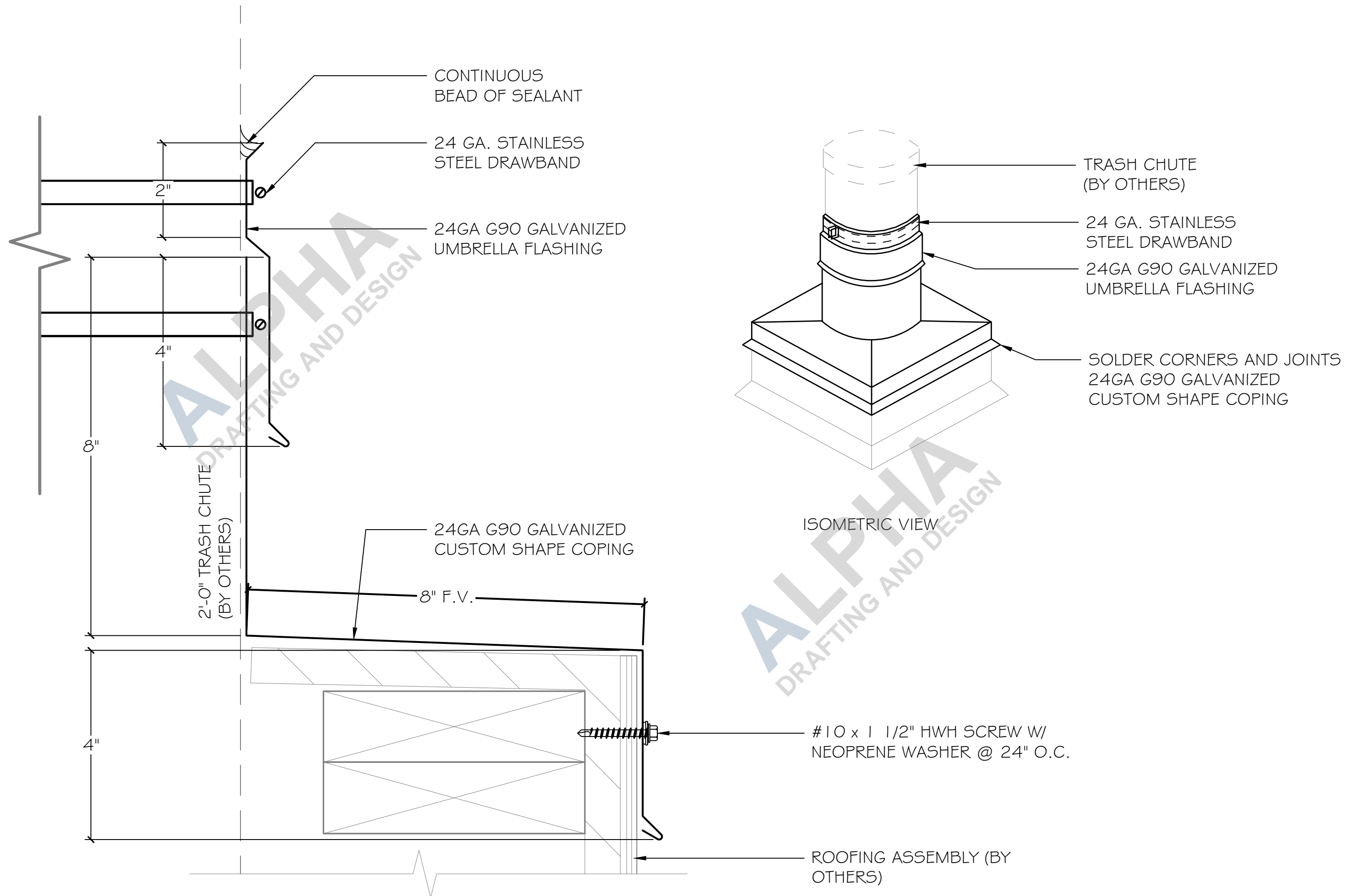
T.O. CURB  
SEE SLAB PLAN

LOUVER HEAD AND SILL DETAIL

ARCH. REF: 5/A4.15

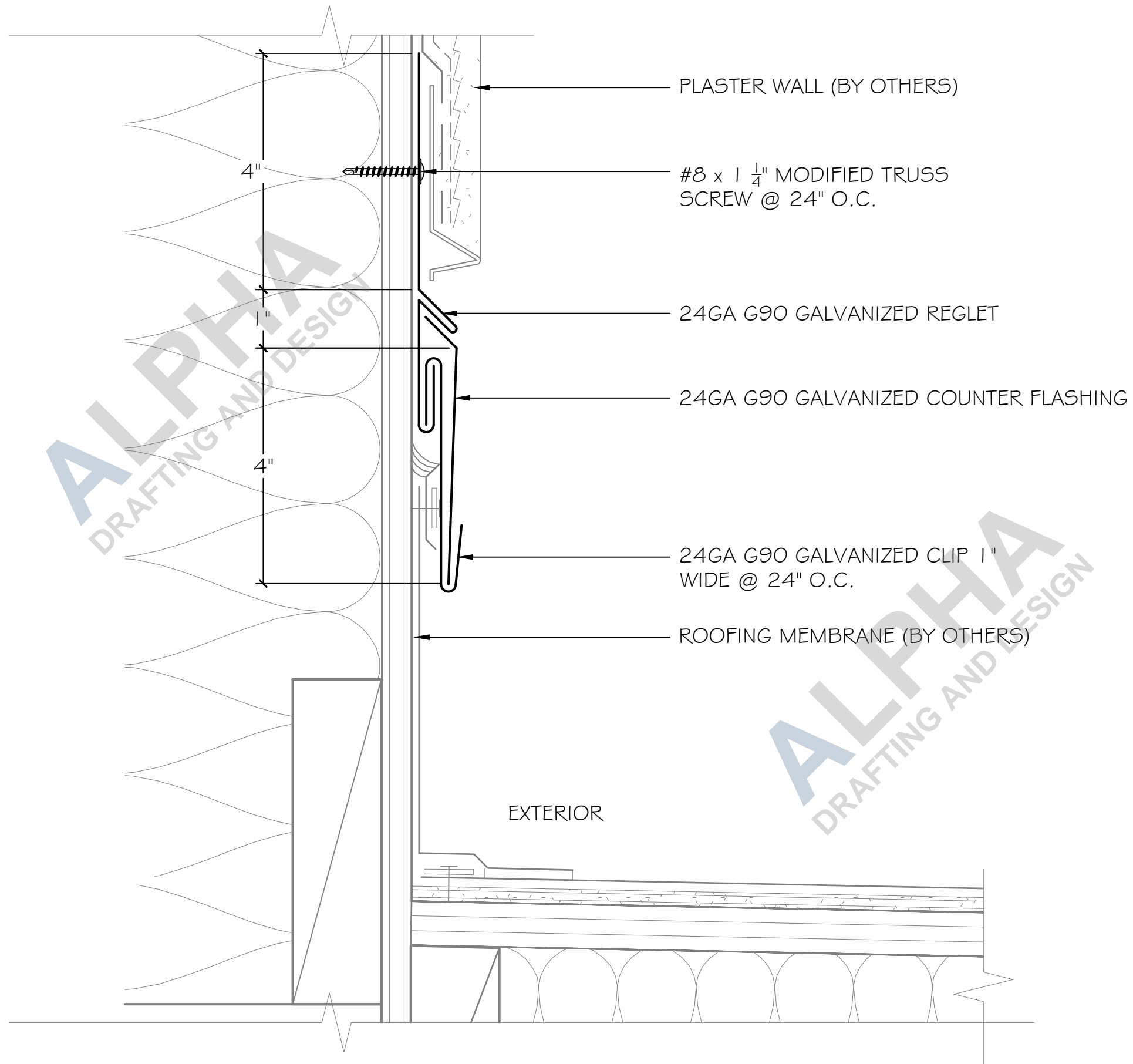
SCALE: 6" = 1'-0"





TRASH CHUTE FLASHING

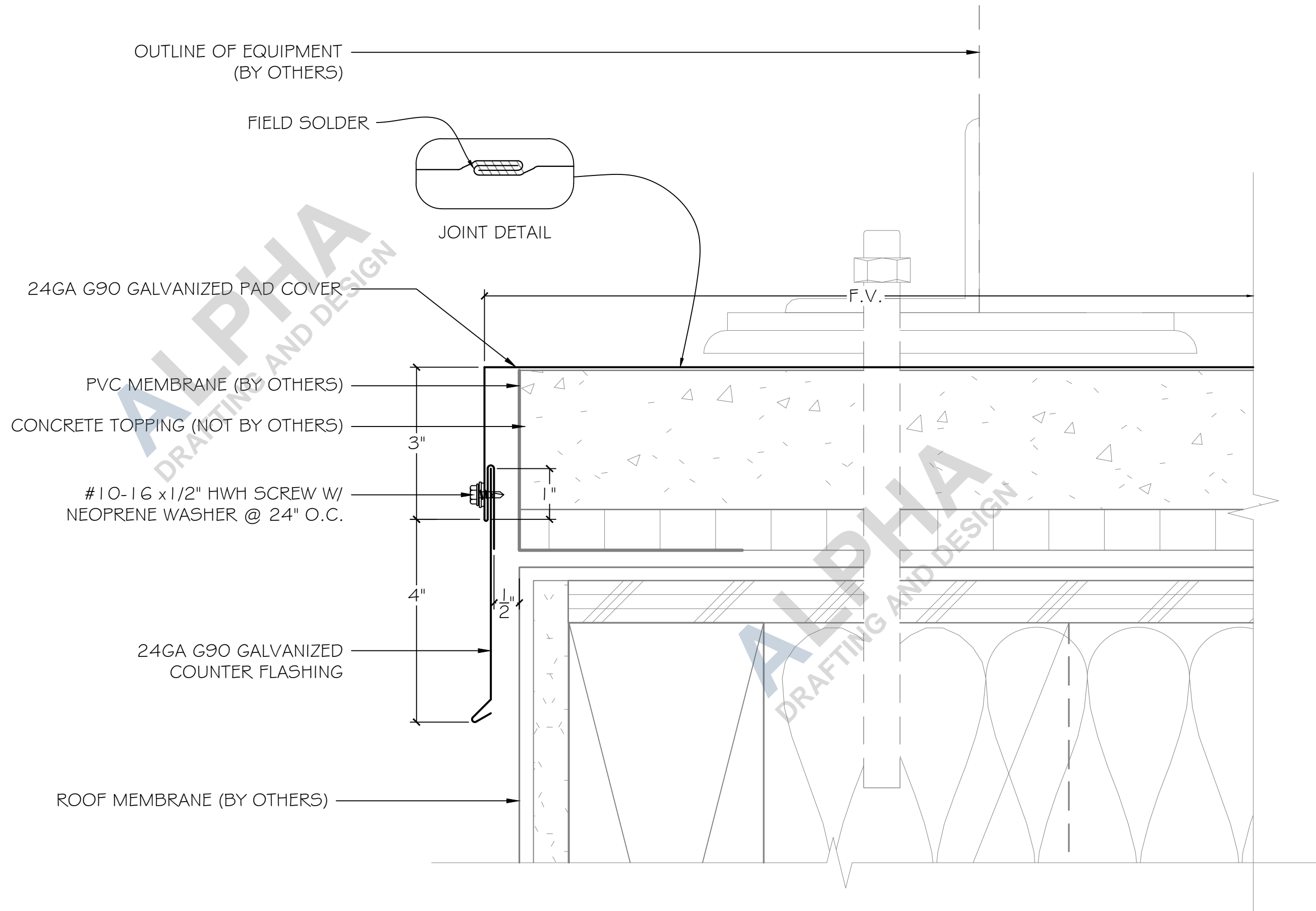
ARCH. REF: 26/A8.12 SCALE: 6" = 1'-0"



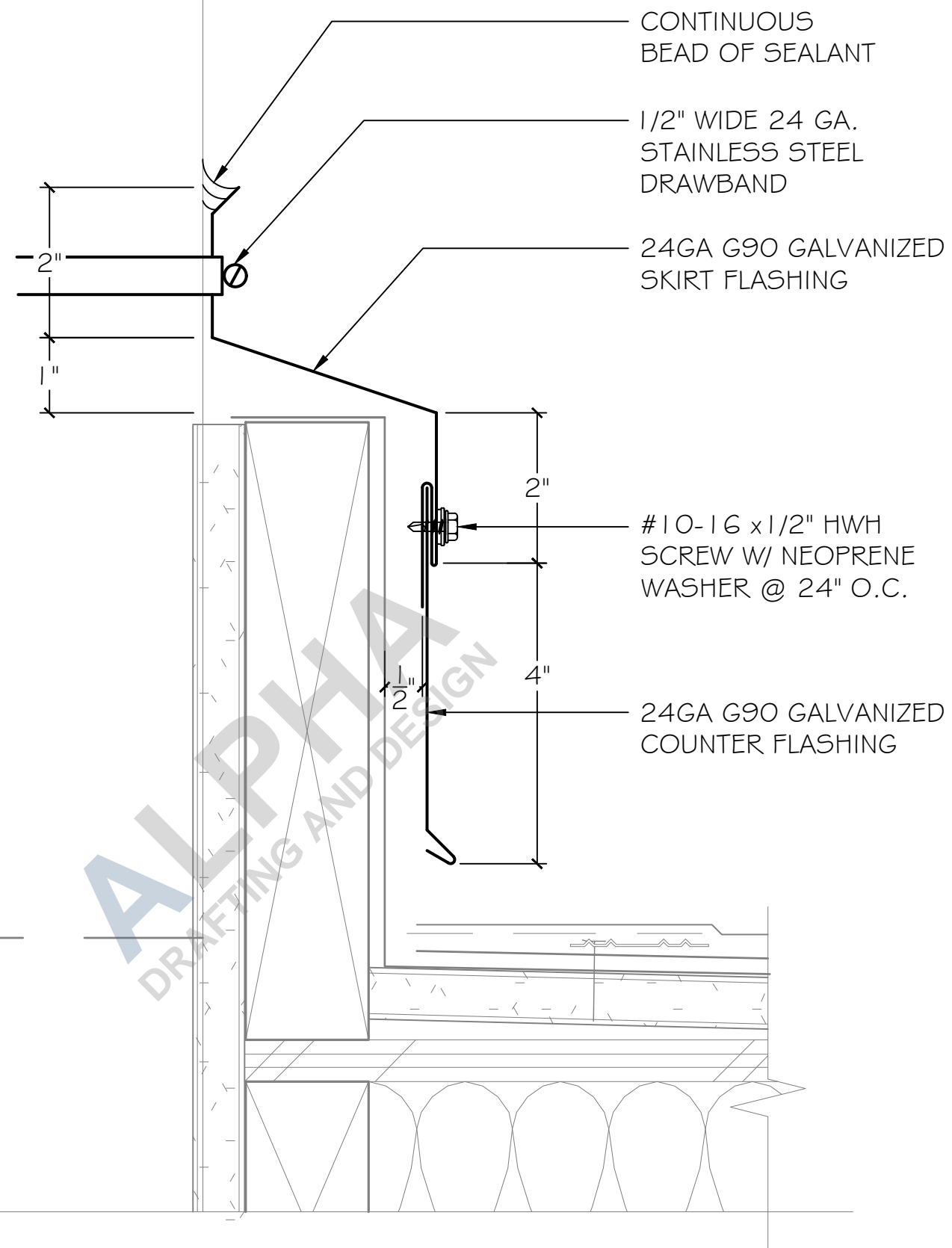
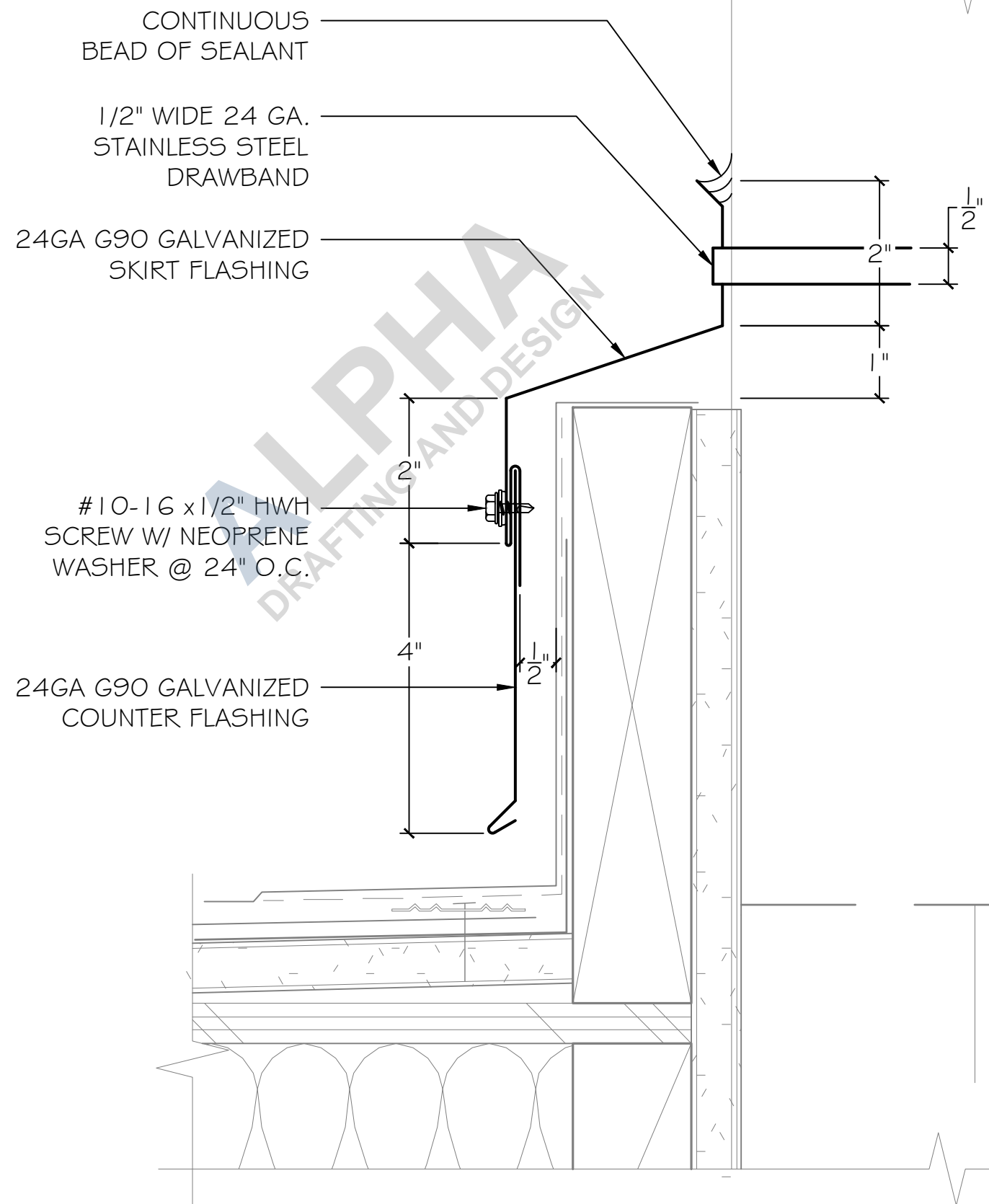
TYP. PLASTER BASE @ ROOF

ARCH. REF: 9/A8.72

SCALE: 6" = 1'-0"



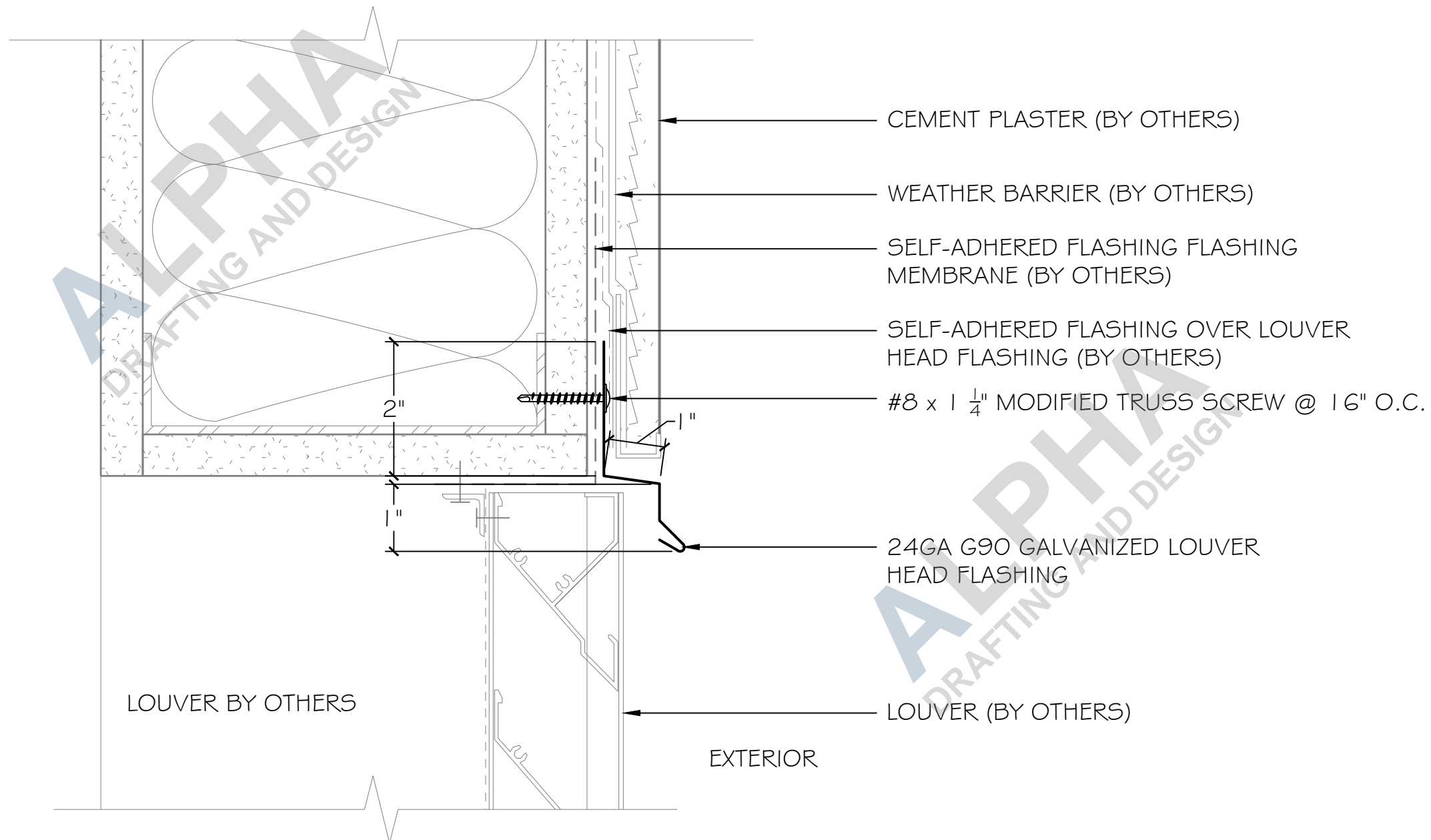
PAD COVER DETAIL TYP.  
 ARCH. REF: 10/A8.72    SCALE: 6" = 1'-0"



SKIRT FLASHING AT ROOF VENT

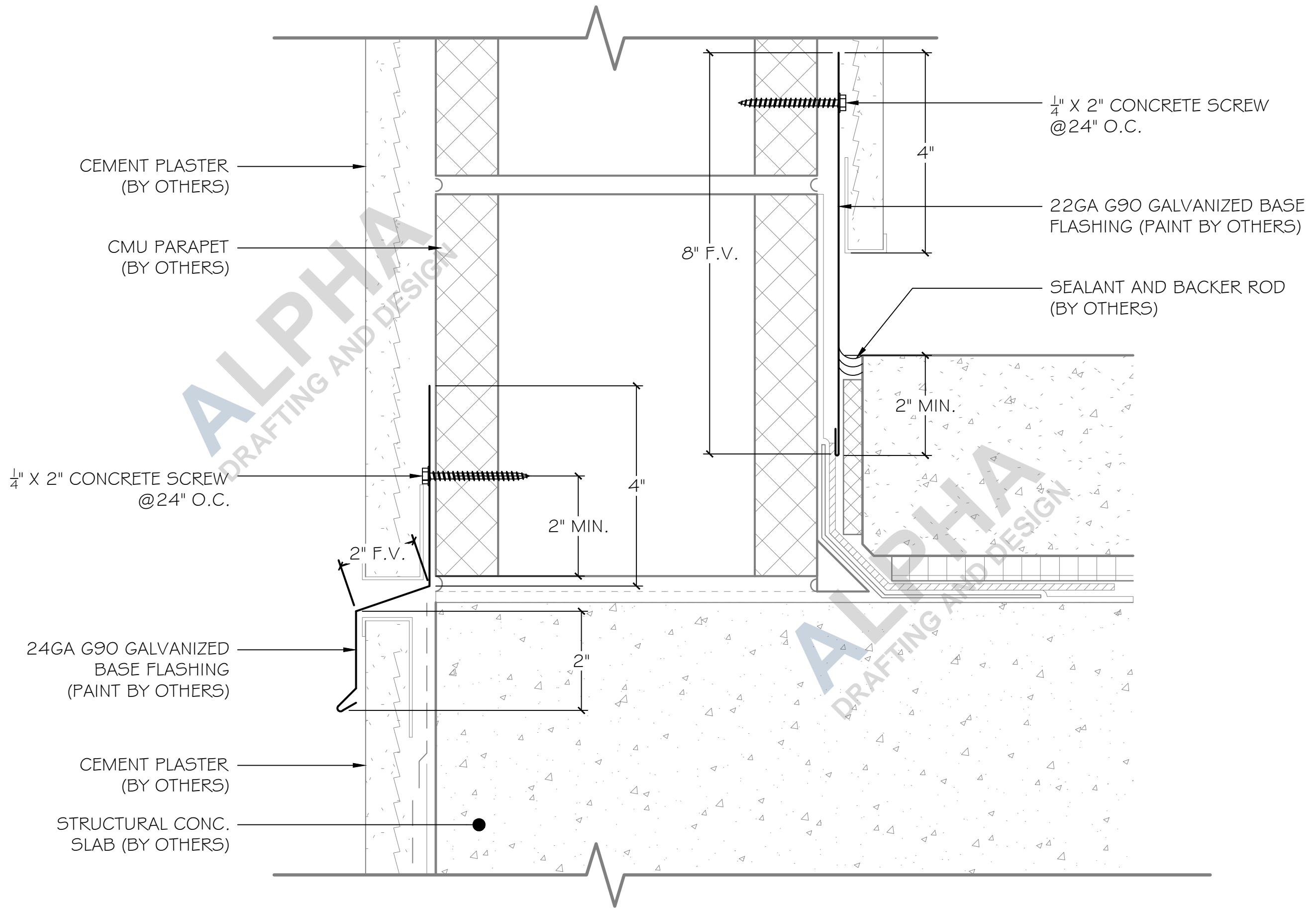
ARCH. REF: 17 & 20/A8.72

SCALE: 6" = 1'-0"



LOUVER HEAD FLASHING

ARCH. REF: 11/A8.73 SCALE: 6" = 1'-0"



CEMENT PLASTER  
(BY OTHERS)

CMU PARAPET  
(BY OTHERS)

1/4" X 2" CONCRETE SCREW  
@24" O.C.

24GA G90 GALVANIZED  
BASE FLASHING  
(PAINT BY OTHERS)

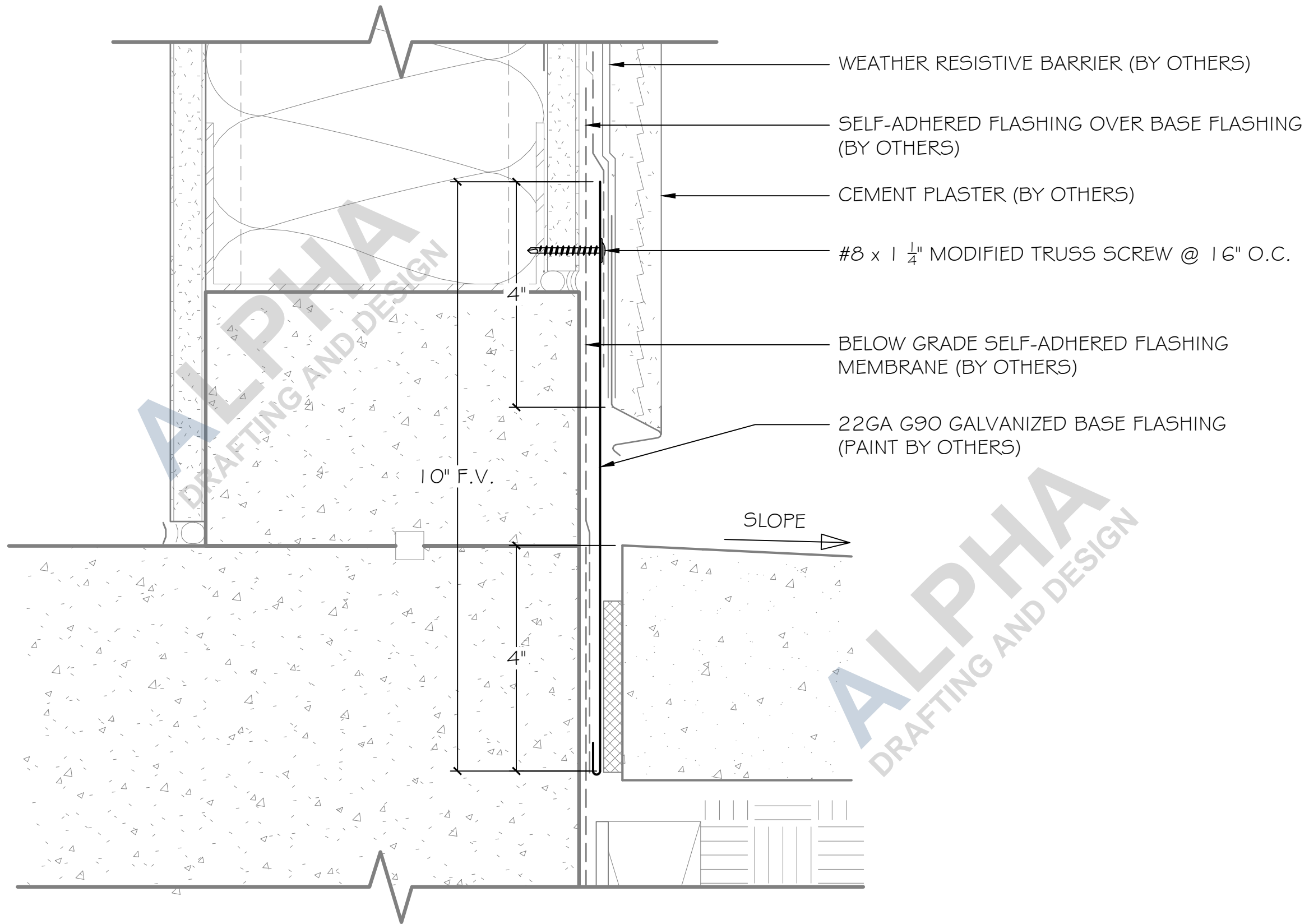
CEMENT PLASTER  
(BY OTHERS)

STRUCTURAL CONC.  
SLAB (BY OTHERS)

1/4" X 2" CONCRETE SCREW  
@24" O.C.

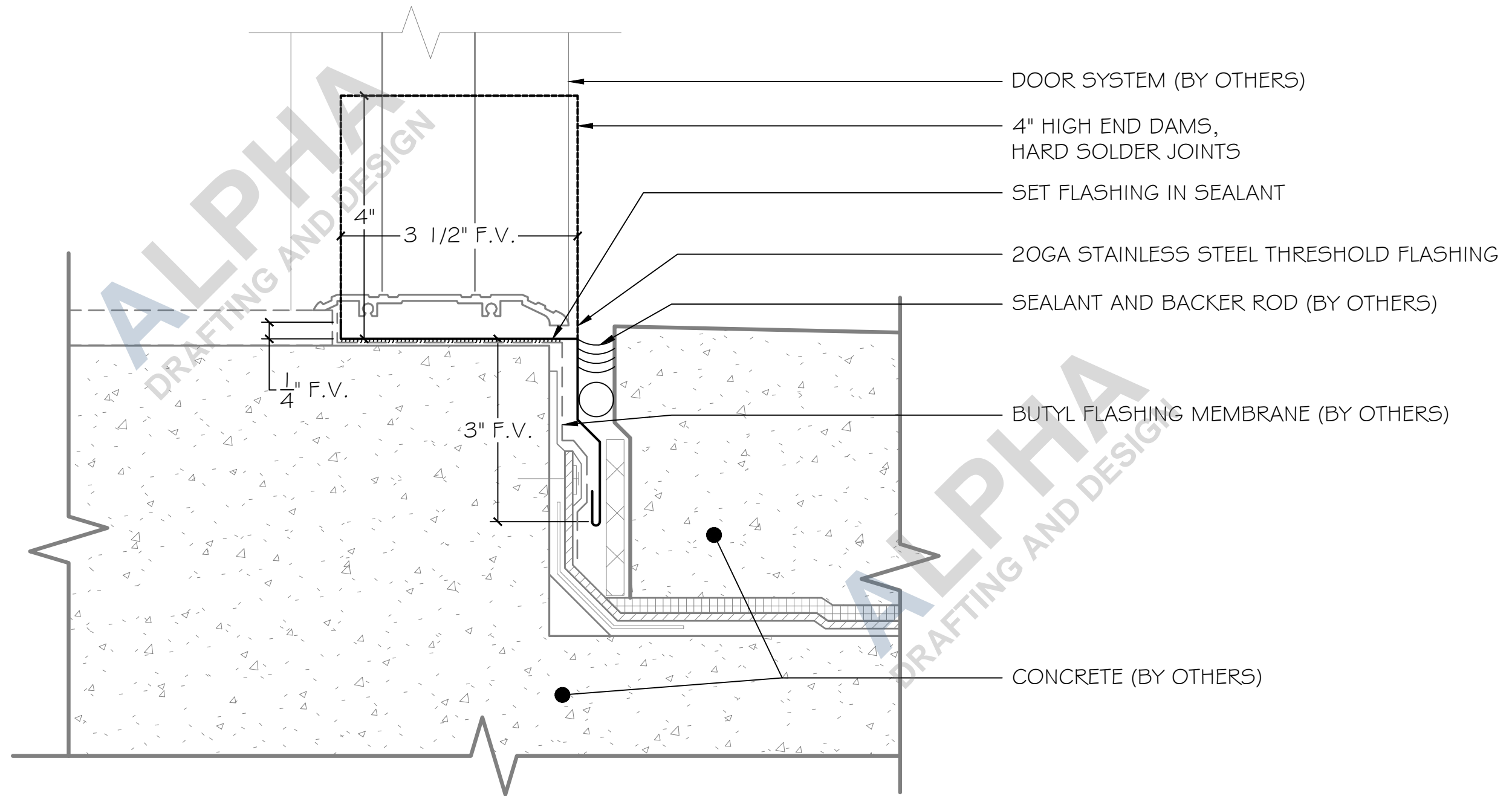
22GA G90 GALVANIZED BASE  
FLASHING (PAINT BY OTHERS)

SEALANT AND BACKER ROD  
(BY OTHERS)

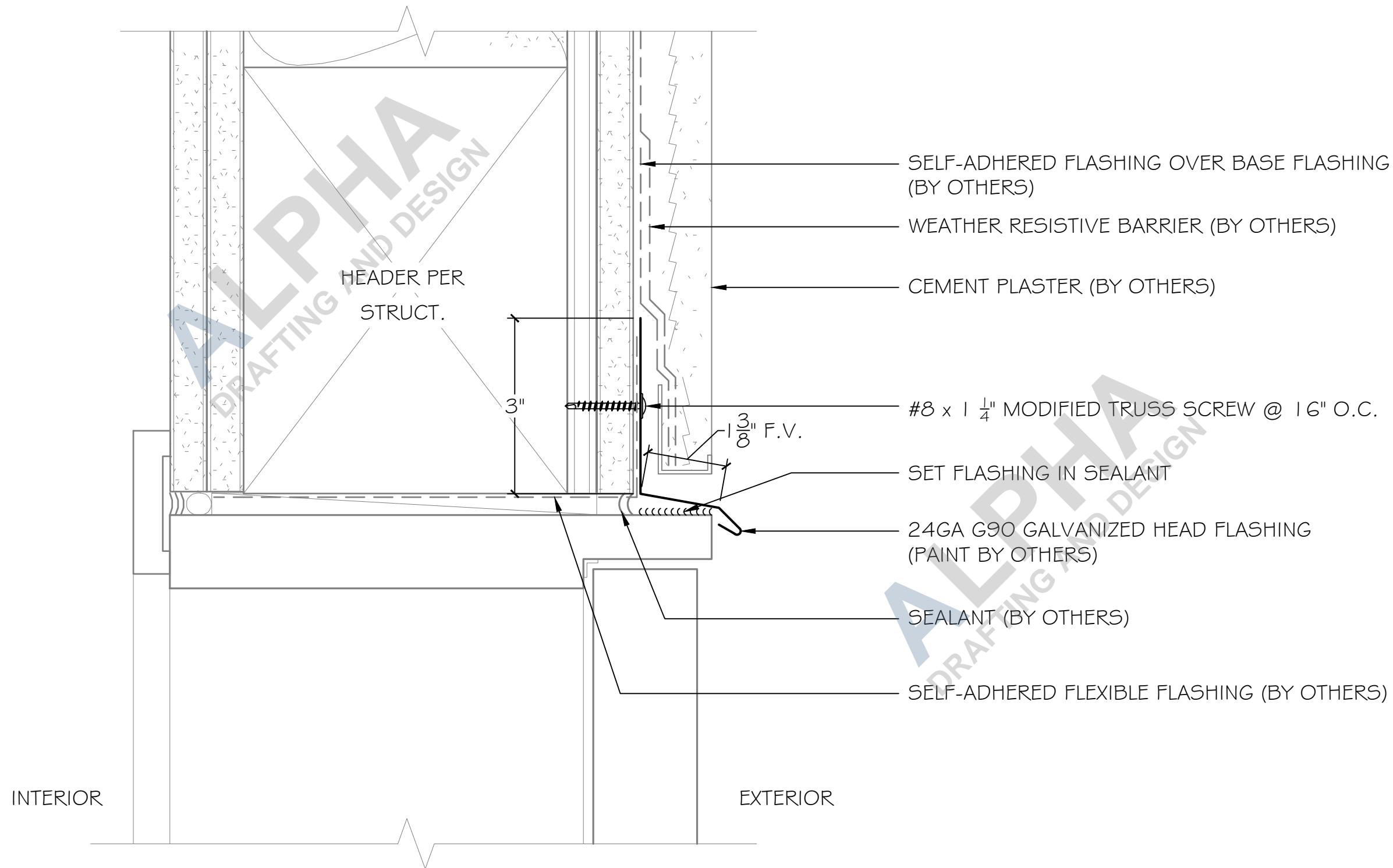


BASE FLASHING AT SIDEWALK

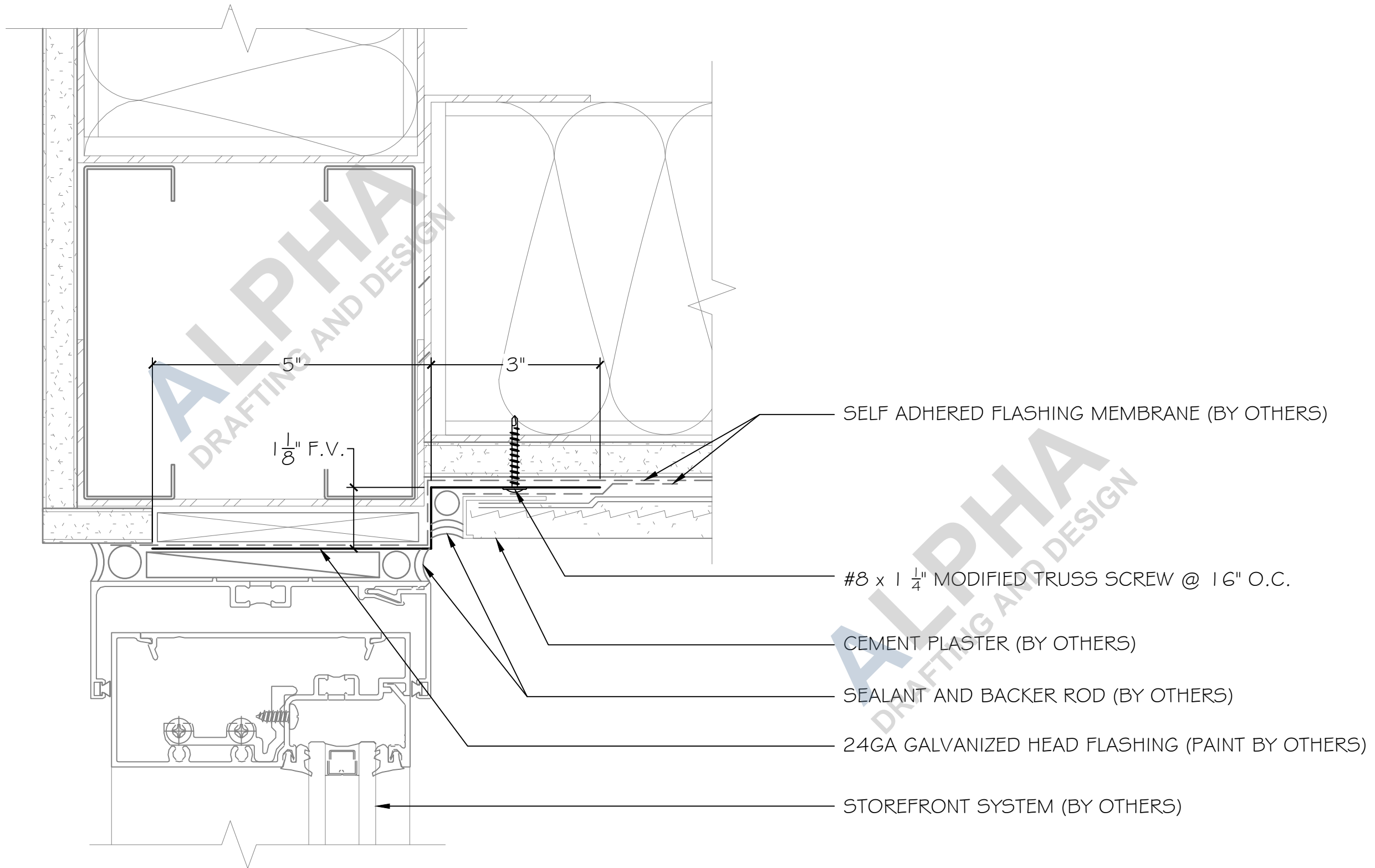
ARCH. REF: 29/A8.73 SCALE: 6" = 1'-0"



EXTERIOR DOOR FLASHING AT THRESHOLD  
 ARCH. REF: 25/A8.81 SCALE: 6" = 1'-0"



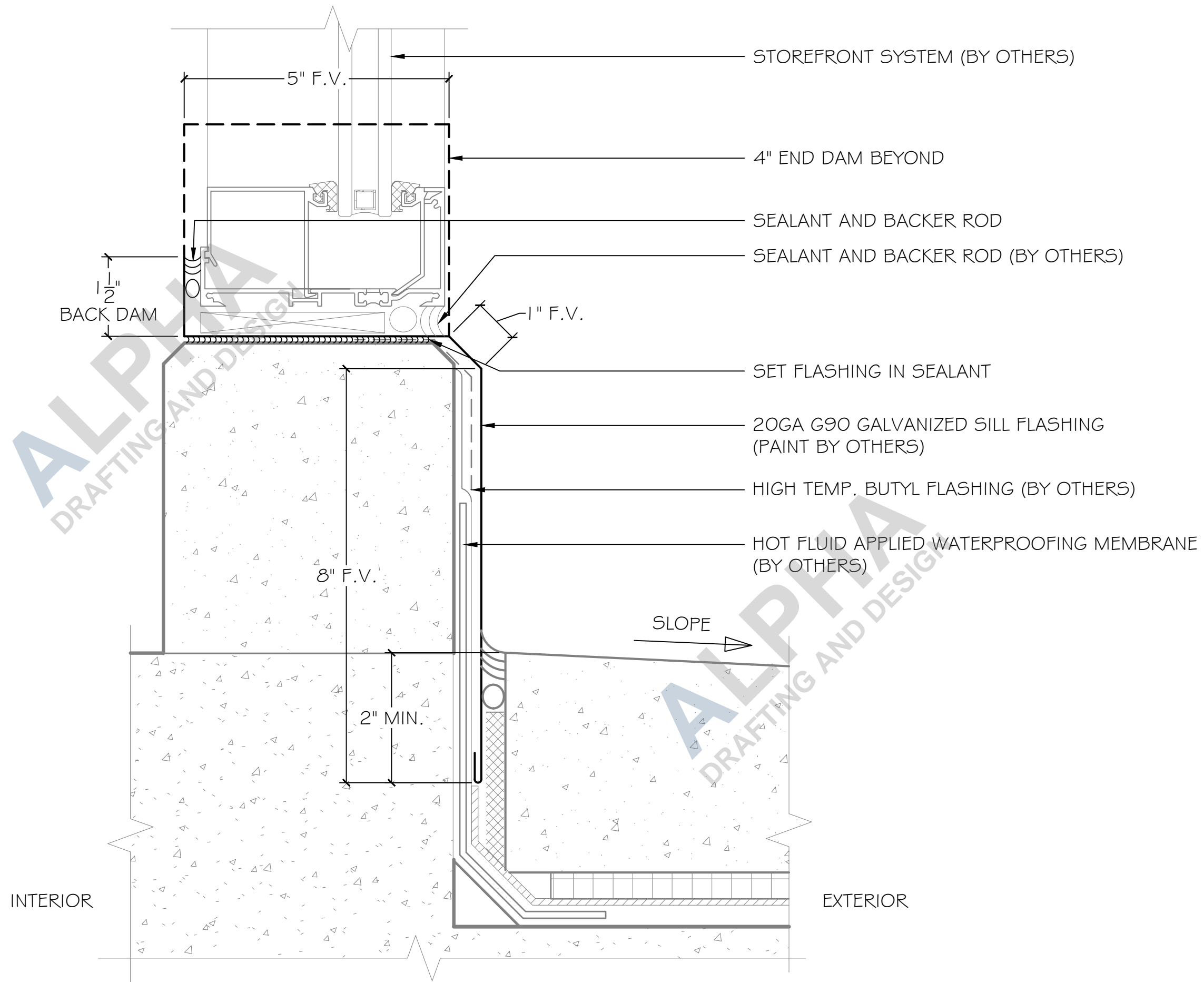
EXTERIOR DOOR FLASHING AT HEAD  
 ARCH. REF: 13/A8.82 SCALE: 6" = 1'-0"



STOREFRONT FLASHING DETAIL @ HEAD

ARCH. REF: 7/A8.83

SCALE: 6" = 1'-0"



STOREFRONT SYSTEM (BY OTHERS)

4" END DAM BEYOND

SEALANT AND BACKER ROD

SEALANT AND BACKER ROD (BY OTHERS)

SET FLASHING IN SEALANT

20GA G90 GALVANIZED SILL FLASHING  
(PAINT BY OTHERS)

HIGH TEMP. BUTYL FLASHING (BY OTHERS)

HOT FLUID APPLIED WATERPROOFING MEMBRANE  
(BY OTHERS)

SLOPE

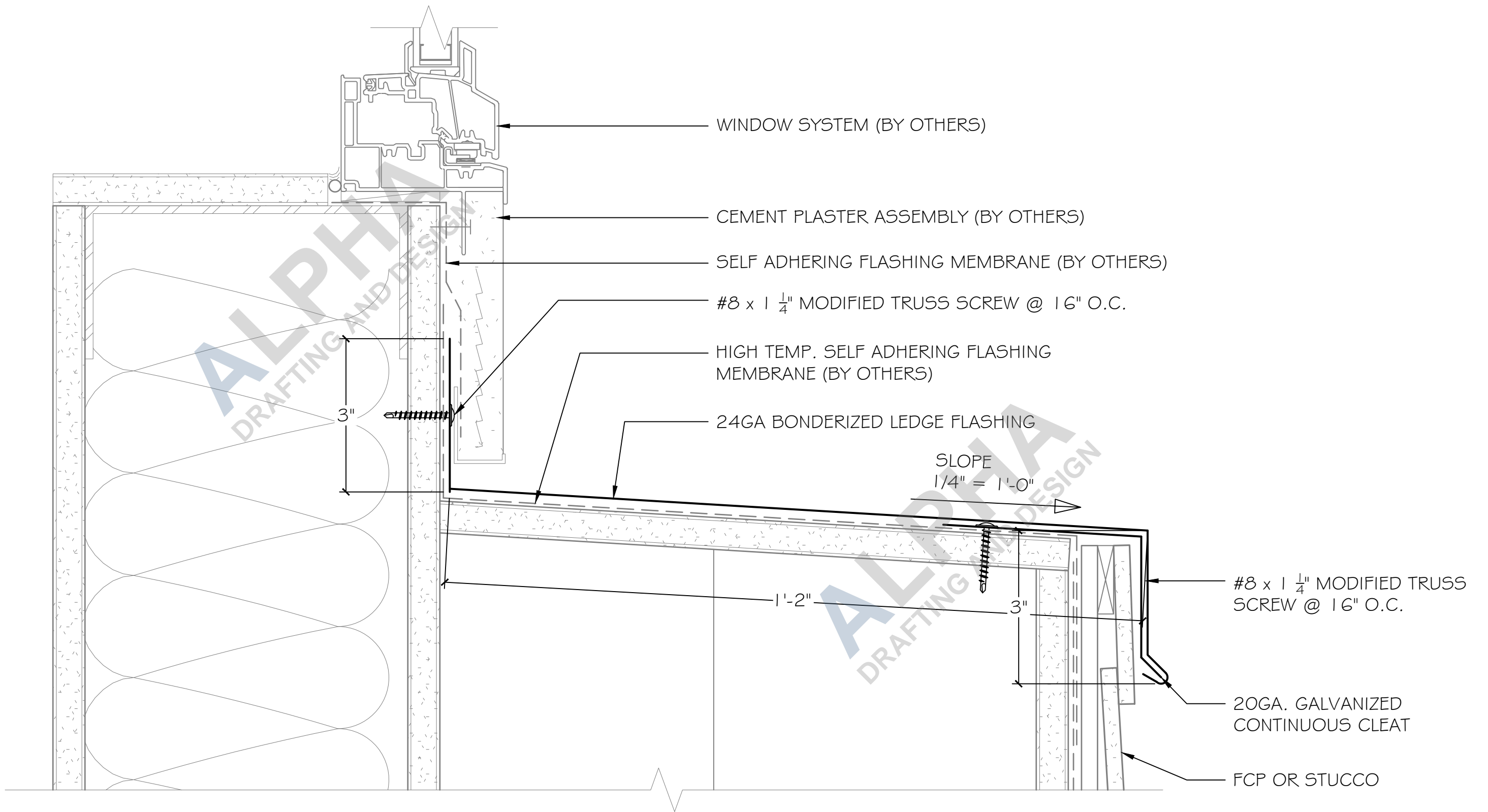
INTERIOR

EXTERIOR

STOREFRONT FLASHING DETAIL @ SILL - LEVEL 2

ARCH. REF: 11/A8.83

SCALE: 6" = 1'-0"



LEDGE FLASHING AT FCP SIMILAR AT STUCCO

ARCH. REF: 10, 12/A8.84

SCALE: 6" = 1'-0"