

COLLECTOR HEAD AND DOWNSPOUT (EXPOSED)

ARCH. REF: 13/A8.72 SCALE: 3" = 1'-0"

SEALANT AND BACKER ROD (BY OTHERS)

#10 x 2" HWH SCREW W/
NEOPRENE WASHER

24GA BONDERIZED COLLECTOR HEAD

OUTLET TUBE SET IN SEALANT

24GA BONDERIZED 3"Ø DOWNSPOUT
(PAINT BY OTHERS)

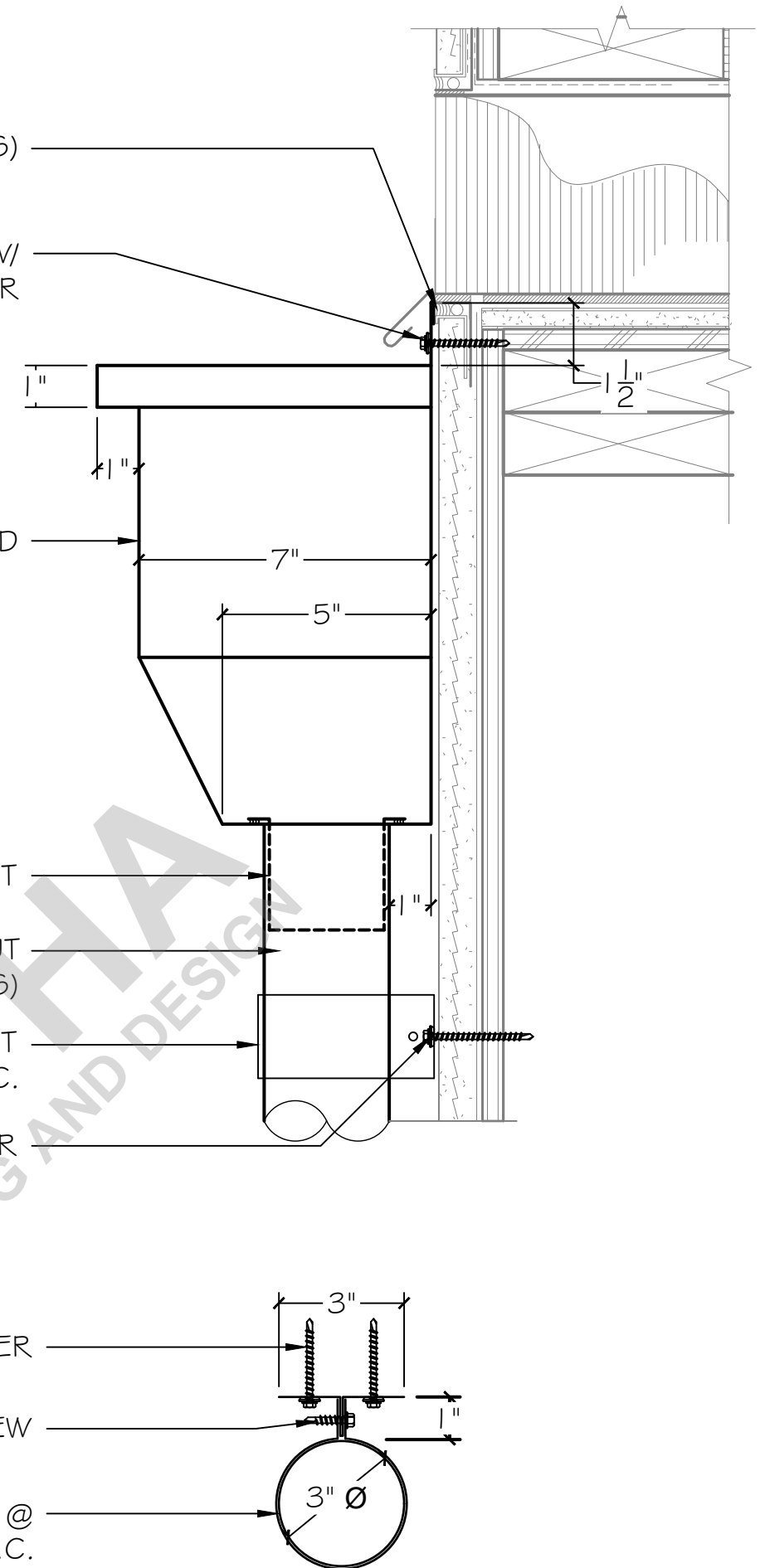
24GA BONDERIZED DOWNSPOUT
STRAP @ 48" O.C.

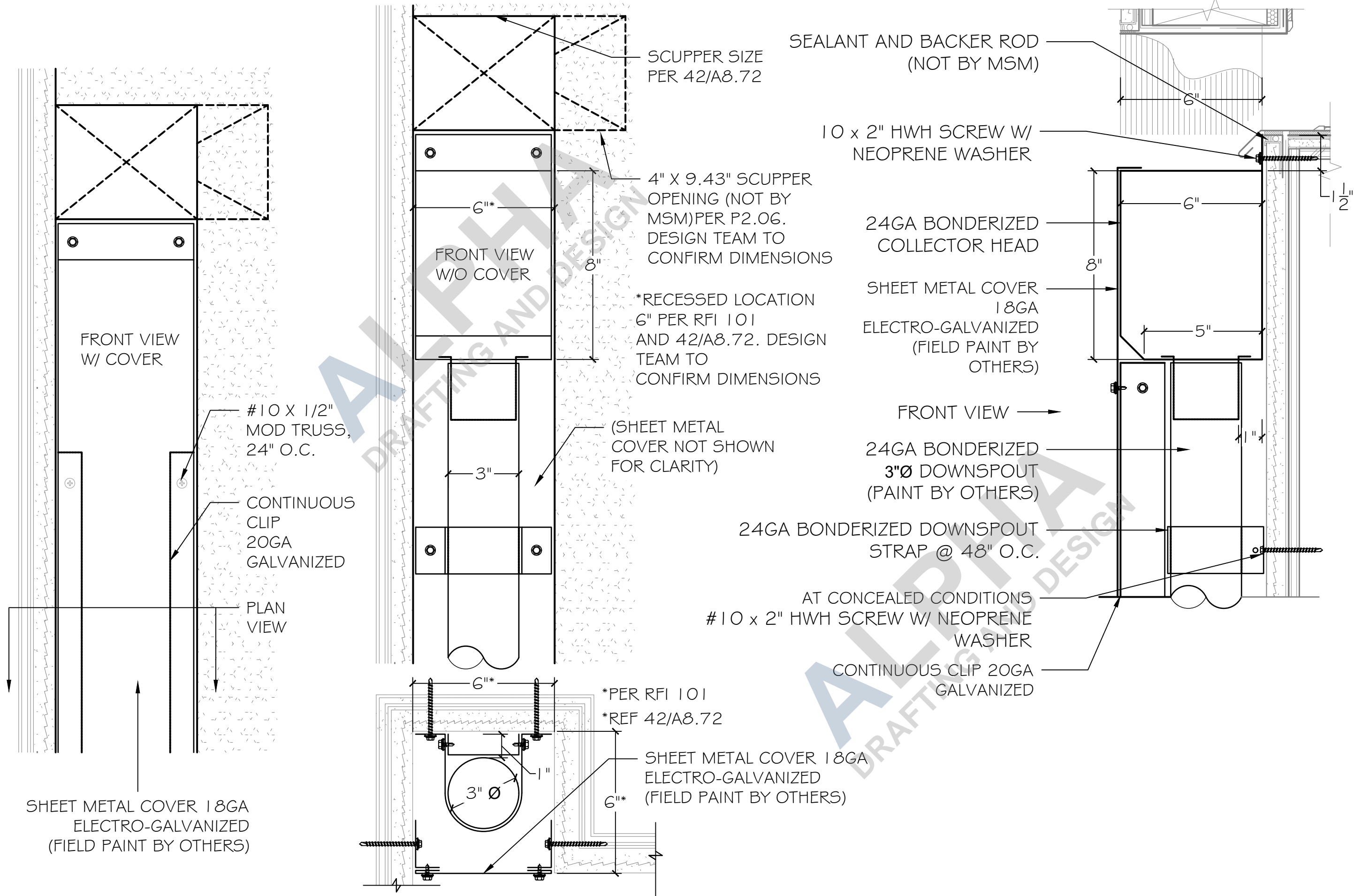
#10 x 2" HWH SCREW W/ NEOPRENE WASHER

#10 x 2" HWH SCREW W/ NEOPRENE WASHER

#8 x 1/2" HWH SCREW

24GA BONDERIZED DOWNSPOUT STRAP @
48" O.C.





COLLECTOR HEAD, DOWNSPOUT AND SHEET METAL COVER AT RECESSED LOCATIONS

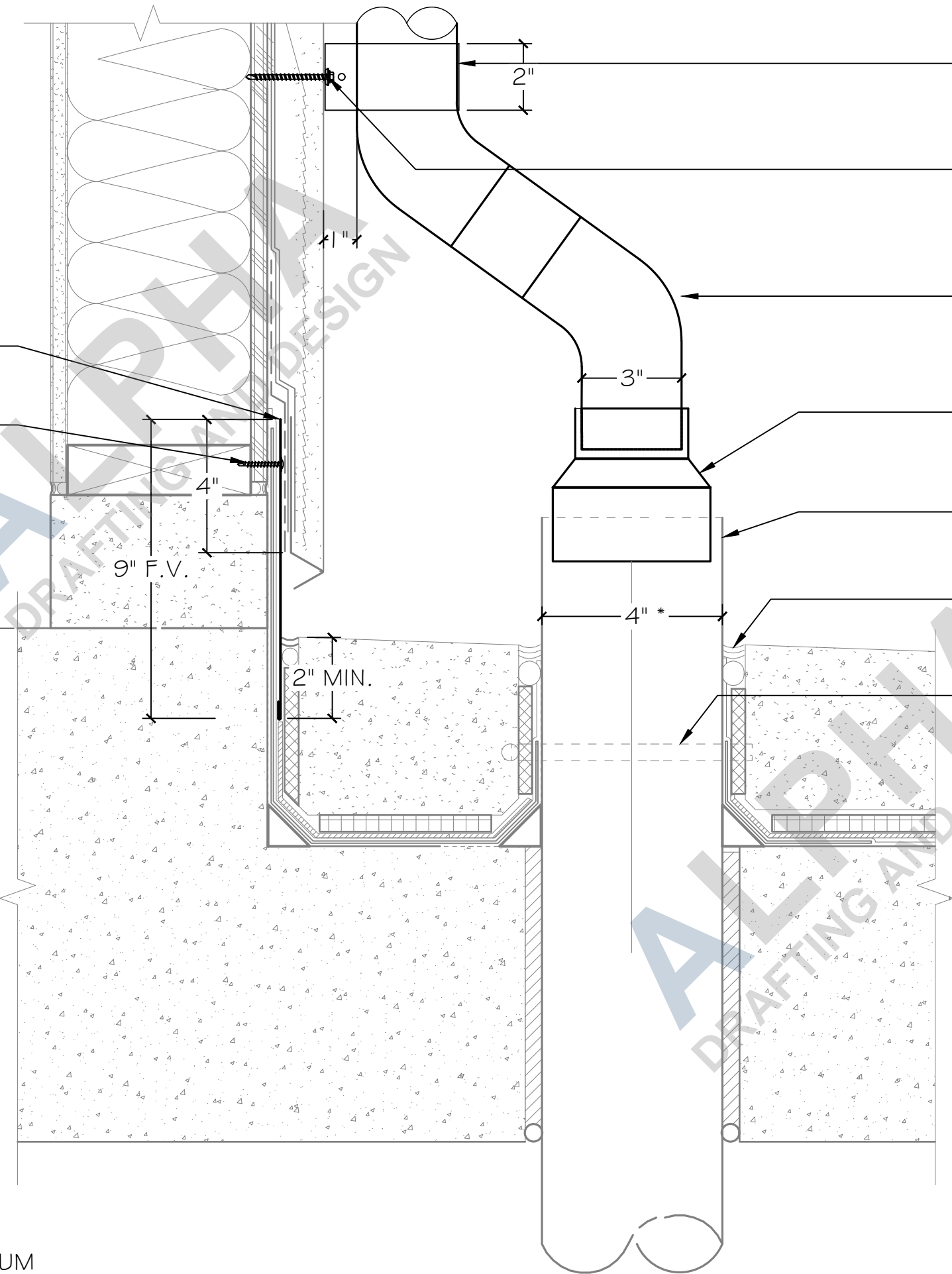
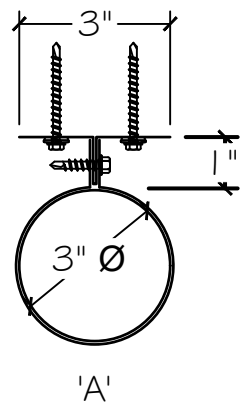
ARCH. REF: 41 & 42/A8.72

SCALE: 3" = 1'-0"

22GA GALVANIZED BASE FLASHING (PAINT BY OTHERS)

#8 x 1 1/4" MODIFIED TRUSS SCREW @ 16" O.C.

T.O. CURB
SEE SLAB PLAN



24GA BONDERIZED DOWNSPOUT STRAP @ 48" O.C. AT EXPOSED CONDITIONS, SEE DETAIL 'A'

#10 x 2" HWH SCREW W/ NEOPRENE WASHER

24GA BONDERIZED 3"Ø DOWNSPOUT (PAINT BY OTHERS) W/ ROUND ELBOWS

DOWNSPOUT 3"Ø to 4"Ø TRANSITION 24GA BONDERIZED

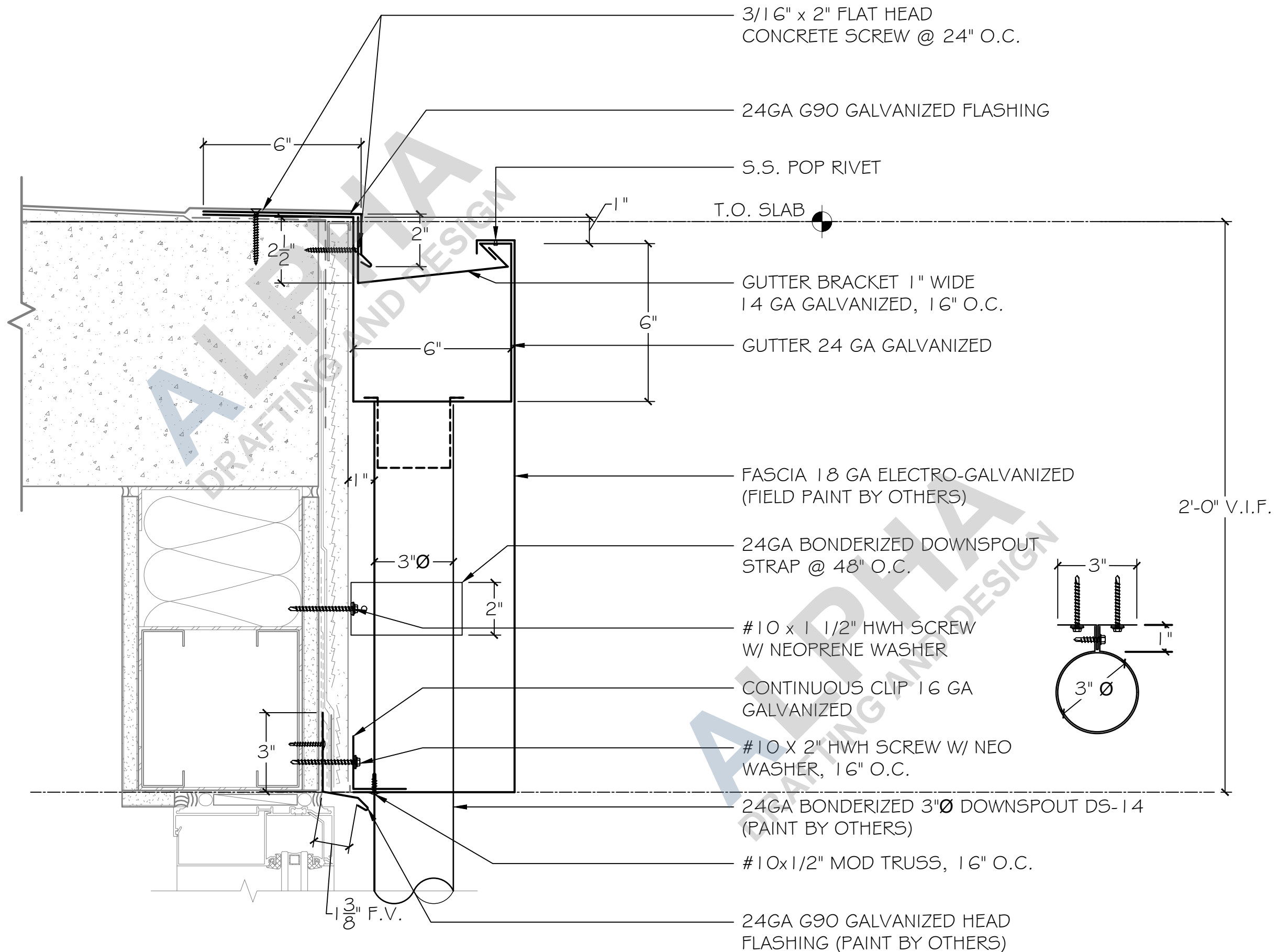
DRAIN PIPE (BY OTHERS)

SEALANT AND BACKER ROD (BY OTHERS)

HOSE CLAMP (BY OTHERS)

DOWNSPOUT PENETRATION AT PODIUM

ARCH. REF: 32/A8.73 SCALE: 3" = 1'-0"



GUTTER DETAIL

ARCH. REF: 19 # 34/A8.83

SCALE: 3" = 1'-0"